

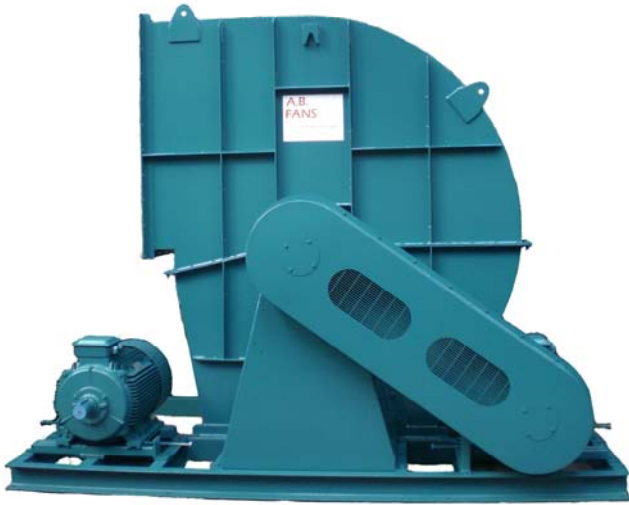
A.B. FANS

INDUSTRIAL FAN MANUFACTURER



COMPANY PROFILE

TYPE 1245 BL-245, BELT-DRIVEN CENTRIFUGAL FAN UNIT.



A.B. Fan Services Ltd are a manufacturer and supplier of centrifugal and axial flow industrial fans.

Our extensive engineering experience allows us to produce high quality, high efficiency fan units.

We also offer a full maintenance service including spherical roller bearing replacement, motor and vee belt drive changes.

With the latest schenk vibro balancing 41 equipment, we can offer both in house and on site dynamic balancing and diagnostic testing.

TYPE 1290 BL-245, DIRECT DRIVEN ACCOUSTIC INSULATED.



TYPE 650 BCP-108, DIRECT DRIVEN CENTRIFUGAL FAN UNITS.



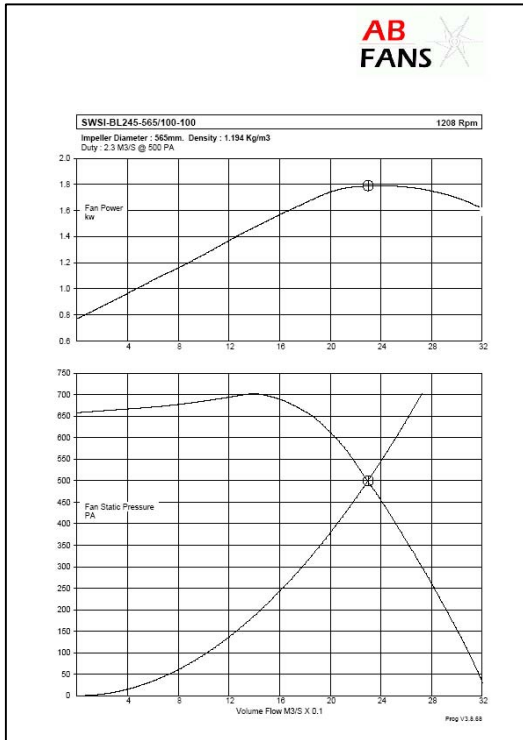
T: 01384 242156

F: 01384 458263

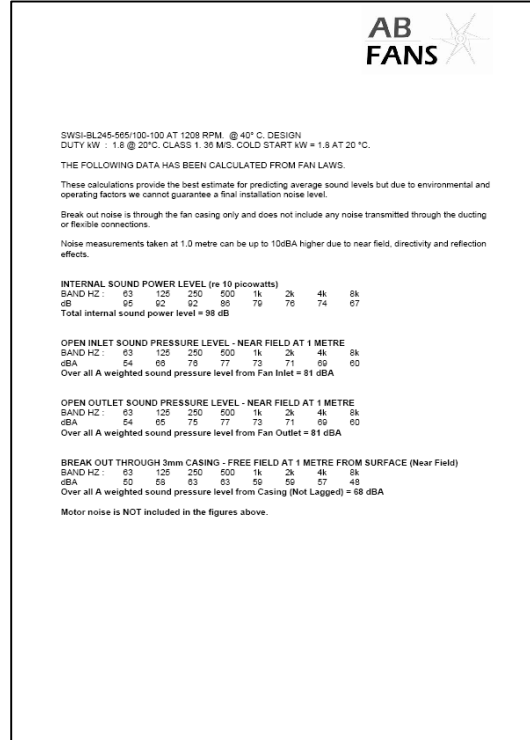
Email: sales@abfans.co.uk

Web: www.abfans.co.uk

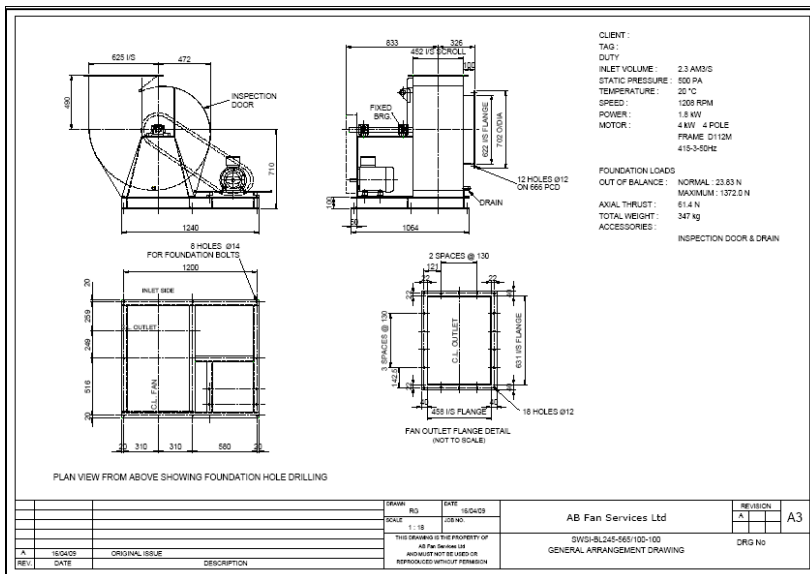
TECHNICAL INFO



Example of fan curve



Example of sound levels



Example of general arrangement drawing

We select, design, manufacture and supply a wide range of centrifugal and axial flow fans for all types of applications including, material handling, high pressure, high volume, contaminated air and high temperature.

We manufacture in a range of materials including mild steel and stainless steel.

We design High Efficiency fans on the latest computerised selection programs which will supply GA drawings, curves and noise levels at quotation point.



STANDARD FAN RANGE



BL TYPE / BLP TYPE / BC 130 TYPE / BC 317 TYPE

Backward inclined impeller.
Will accept light dust loads.

Non - overloading characteristics.

Medium Volume - Medium Pressure
(0.2 m³/s - 50 m³/s) - (250 Pa - 6000 Pa)

RT 152 TYPE / RB164 TYPE

Radial Bladed impeller.

RT Heavy dust loads.
RB Heavy dust and chips.

Medium Volume - Medium - High Pressure
(0.1 m³/s - 30 m³/s) - (250 Pa - 8000 Pa)



BCP 108 TYPE / BCP 078 TYPE / Q TYPE / H TYPE

Backward inclined impeller.
Narrow width, High efficiency

High pressure blowers.

Low Volume - High Pressure
(0.1 m³/s - 8 m³/s) - (800 Pa - 15,000 Pa)

PB TYPE

Paddle bladed, radial impeller.

Heavy dust loads.
Material Handling, Woodwaste etc.

Medium Volume - Medium Pressure
(0.2 m³/s - 25 m³/s) - (250 Pa - 5000 Pa)



MV TYPE

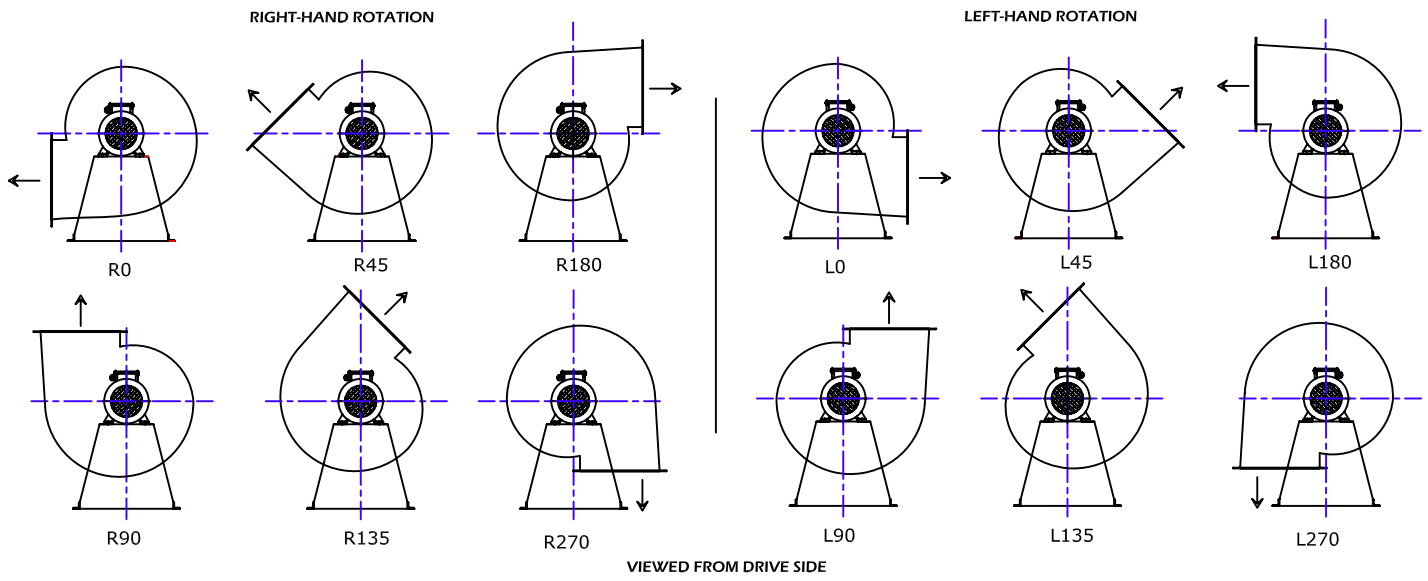
Forward curved impeller.

Light duty applications.
Quiet running.

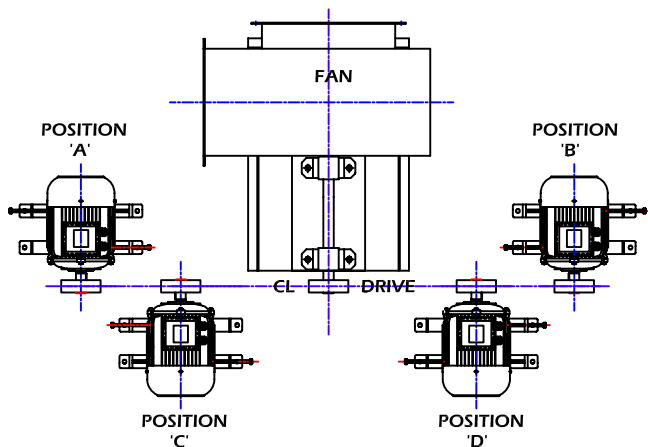
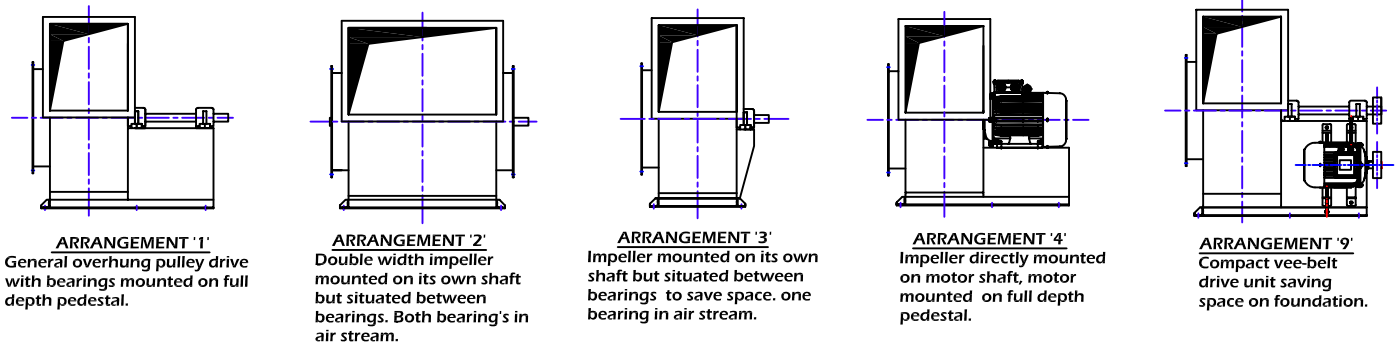
High Volume - Low Pressure
(0.5 m³/s - 60 m³/s) - (25 Pa - 1500 Pa)



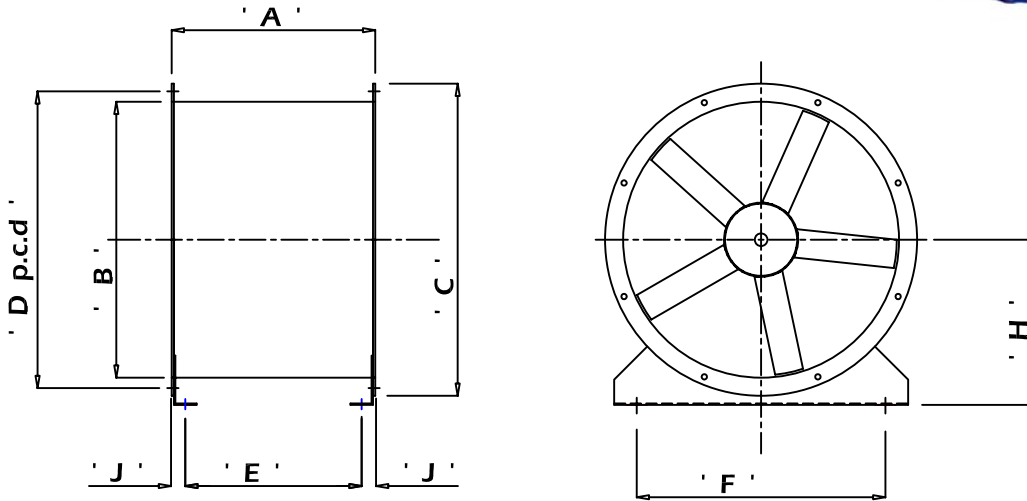
STANDARD FAN ARRANGEMENTS



STANDARD FAN ARRANGEMENTS



AXIAL FLOW FANS



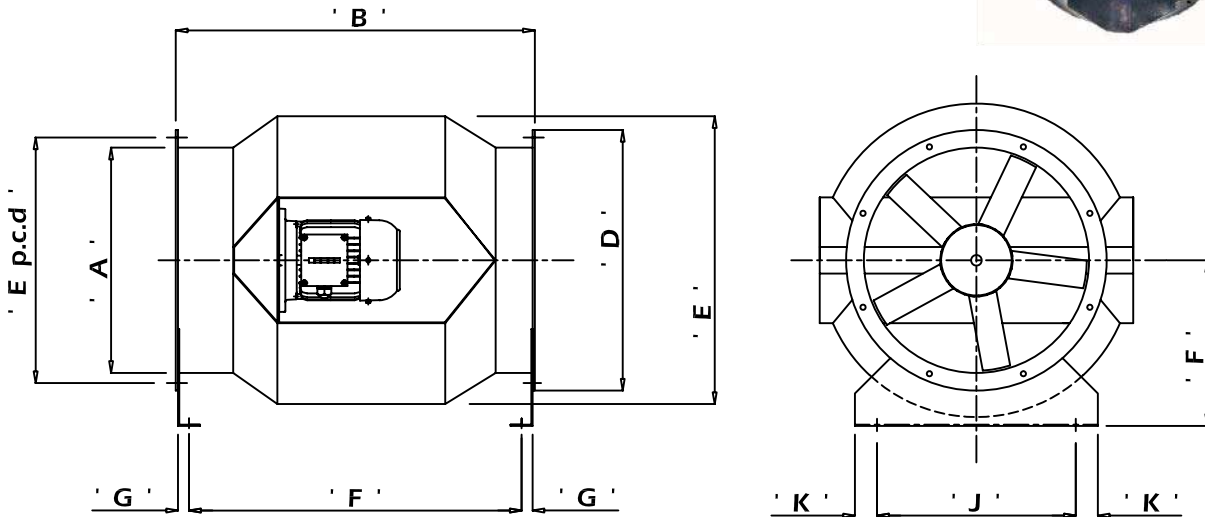
SIZE	A	B	C	D	E	No. OF HOLES	DIA	F	H	J
250	300	260	320	296	260	4	10	200	180	20
315	350	325	385	361	300	8	10	265	200	25
400	400	410	470	446	350	8	10	350	245	25
450	450	460	540	506	390	8	12	450	290	25
500	450	510	590	556	390	8	12	450	315	30
600	450	610	690	656	390	8	12	550	365	30
630	450	640	720	686	390	8	12	580	380	30
700	600	720	820	776	425	12	15	640	420	38
800	600	810	910	866	425	12	15	740	470	38
900	750	912	1012	968	674	12	15	820	550	38

LARGER SIZES AVAILABLE PLEASE CONTACT OUR SALES TEAM.

FEET , ANTI-VIBRATION MOUNTINGS,
BACKING FLANGES AND
FLEXIBLE CONNECTIONS
ARE ALL AVAILABLE AS EXTRAS



BIFURCATED AXIAL FLOW FANS

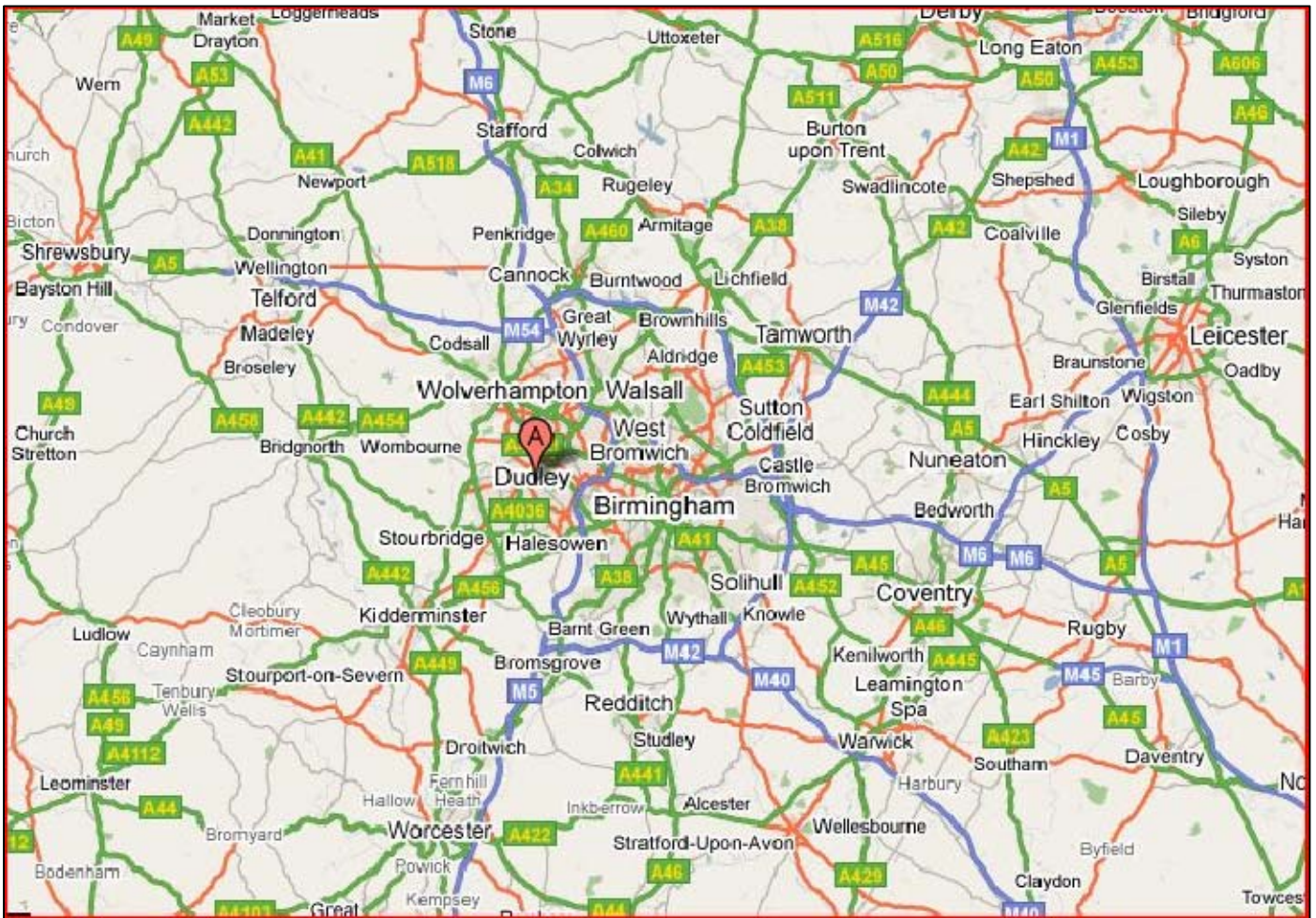


SIZE	A	B	C	D	E	No. OF HOLES	DIA	F	G	H	J	K
250	260	610	380	320	296	4	10	560	25	210	200	50
315	325	610	460	385	361	8	10	550	30	250	265	50
400	410	685	540	470	446	8	10	625	30	290	350	50
450	460	685	610	540	506	8	10	625	30	325	350	50
500	510	760	710	590	556	8	12	700	30	375	450	50
630	640	810	810	720	686	8	12	750	30	425	580	50
710	720	965	970	820	776	12	15	905	30	505	640	50
800	810	1020	1100	910	866	12	15	951	35	570	740	50
900	912	1020	1220	1012	968	12	15	950	35	630	820	50
1000	1012	1100	1370	1112	1068	12	15	1020	40	705	920	50

LARGER SIZES AVAILABLE PLEASE CONTACT OUR SALES TEAM.

FEET , ANTI-VIBRATION MOUNTINGS,
BACKING FLANGES AND
FLEXIBLE CONNECTIONS
ARE ALL AVAILABLE AS EXTRAS





**SHAW ROAD
DUDLEY
WEST MIDLANDS
DY2 8QX**

**T: 01384 242156
F: 01384 458263
Email: sales@abfans.co.uk
Web: www.abfans.co.uk**

